

TECHNICAL SHEET - HINGES WITH 4-HOLE PLATE FOR 180° OPENINGS

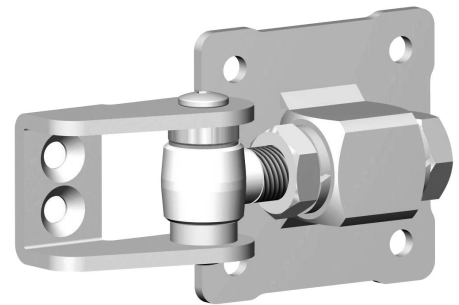
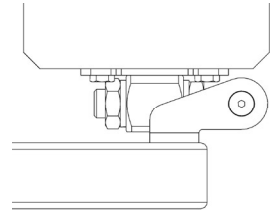
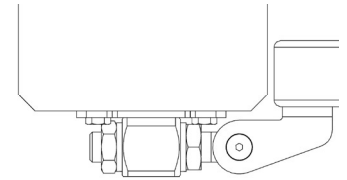
Description

Adjustable galvanized hinge with 4-hole plate. Permits 180 degree opening of the gate wings without reducing the opening width because of protrusions. Fixing on the post by screws. The use of threaded rivets is recommended when fixing with screws onto a tube section in iron or other material. Also suitable for wooden and aluminium gates.

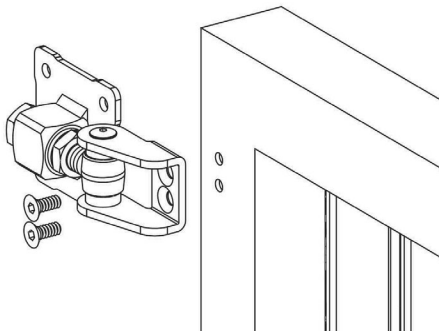
Article combinations

Various combination possibilities are shown in the table for each hinge, with the associated dimensions and any adjustments. For solutions with different articles, make sure that the dimensions of the combined article are compatible and that it supports the applied load.

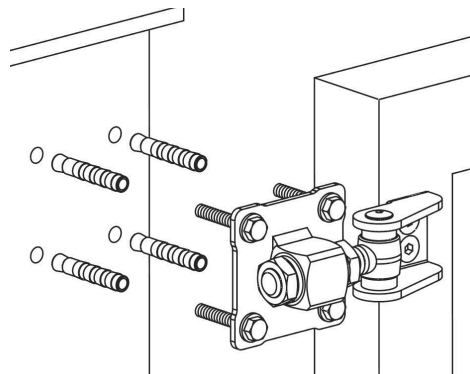
Article of reference		Combined article	
Code	G	Code	G
236.18P	87÷102	236.18P	87÷102
236.22P	103÷125	236.22P	103÷125



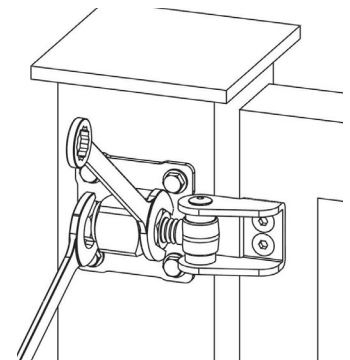
Assembly sequence



- 1) Mark the position of the holes on the gate and then fit the hinge. Make sure that the bearing is positioned above the bearing bolt. In the case of slim tube sections, welding the sides of the bracket or inserting threaded rivets is recommended. Alternatively, strengthen the section fixed to the bracket by welding on a reinforcement plate.



- 2) After marking the correct position of the holes on the post, drill, insert the plugs and fix the hinge. Take care not to let the bearing bolt protrude from the post so as to be able to exploit the maximum opening width. Then fix the other hinge on the vertical of the first.



- 3) Turn the nuts to secure and make adjustments.

Maintenance

To maintain this article in optimum conditions of efficiency and safety, simply:

1. Make sure after installation and after carrying out a few opening and closing sequences that nothing has slackened; in any case, check periodically that there is no loosening caused by vibration, blows, etc.
2. In the event of blows from moving vehicles and other factors, make sure that the hinges and parts for supporting and moving the gate have not been altered in any way or that their operation has not been affected.



Attention: installations that do not comply with the illustrated procedure or failure to carry out the correct maintenance operations can cause the gate to derail and endanger the safety of persons and property.

Selecting the hinge

Having calculated the A/H ratio of the gate in question (see figure) find the point in the graph that corresponds to the weight of the gate. The articles usable are those whose curve is above this point. If the weight of the gate is not distributed evenly, the value of A must be considered equal to twice the distance between the centre of gravity of the gate and the axis of rotation of the wing.

Solution with 2 identical hinges

