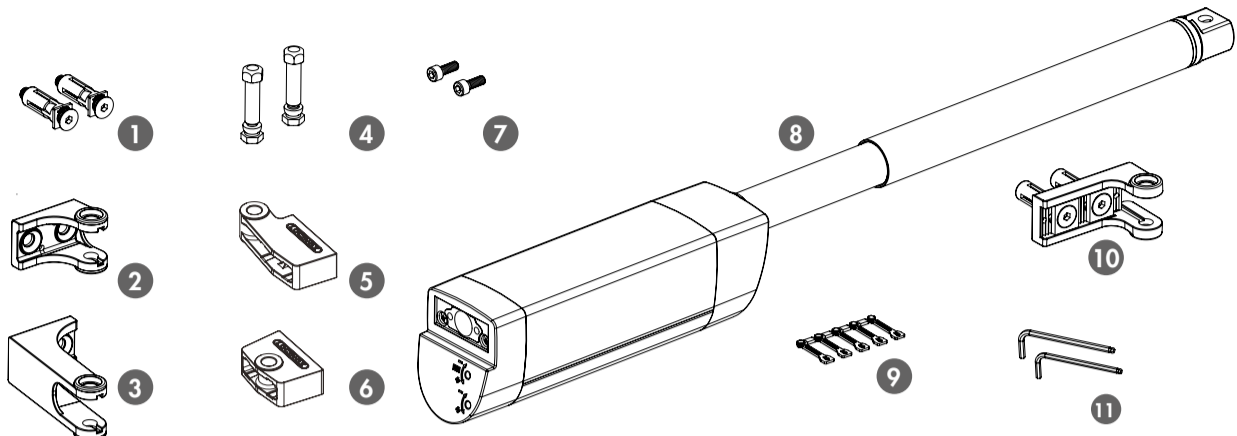


LOCINOX®

Let's make better fences together

SAMSON-2: INSTALLATION INSTRUCTION

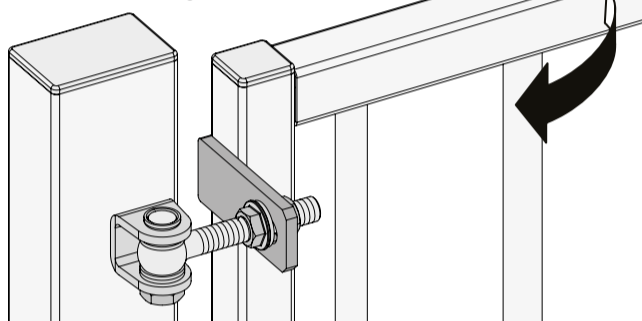
① Package content



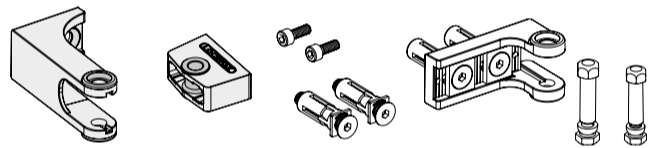
①	Quick-Fix
②	90° post bracket
③	180° and Moroccan post bracket
④	Fixation bolts
⑤	90° tail bracket
⑥	180° and Moroccan tail bracket
⑦	Tail bracket bolts
⑧	Samson-2 gate closer
⑨	Plastic filler plugs
⑩	Gate bracket
⑪	Allen Keys (3 and 5 mm)

180° hinges

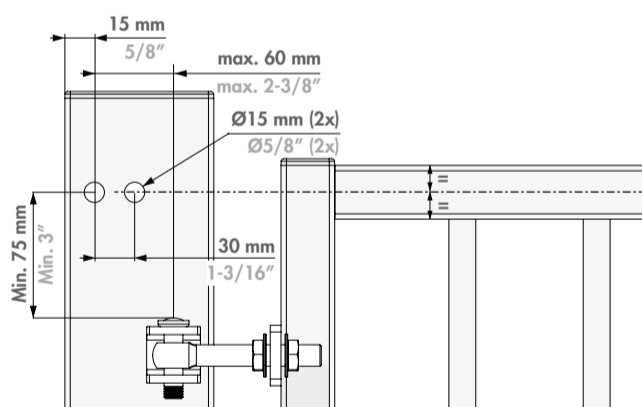
② Mounting Situation



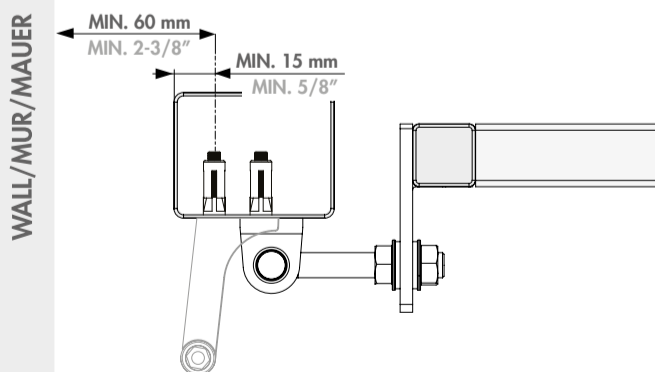
③ Accessories



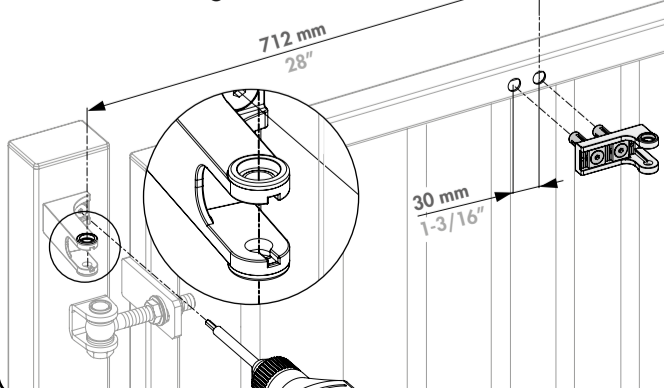
④ Profile and gate preparation



⚠ Min. distance to respect from post to wall

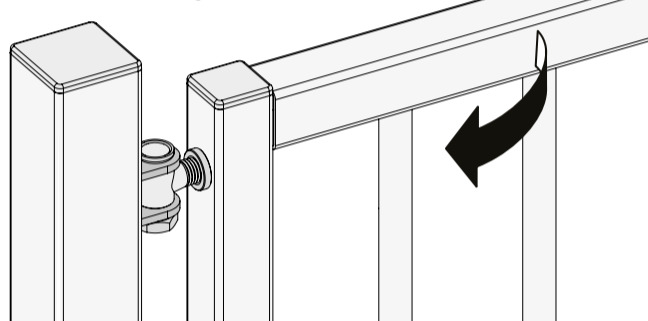


⑤ Mounting the brackets

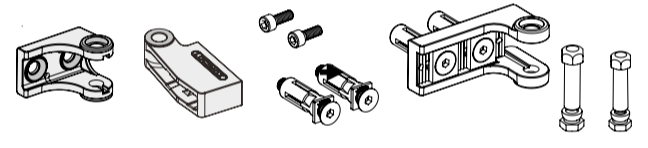


90° hinges

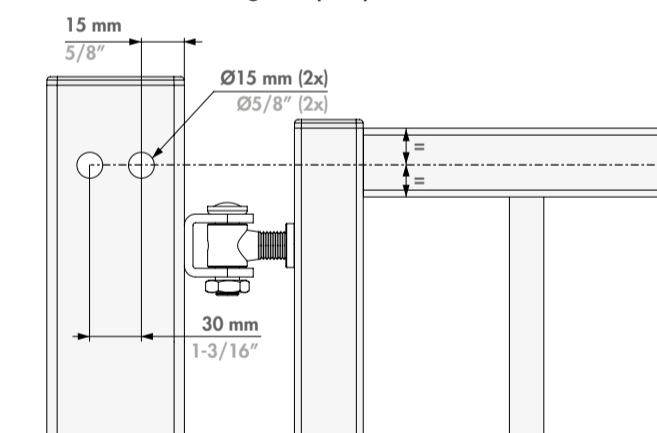
② Mounting Situation



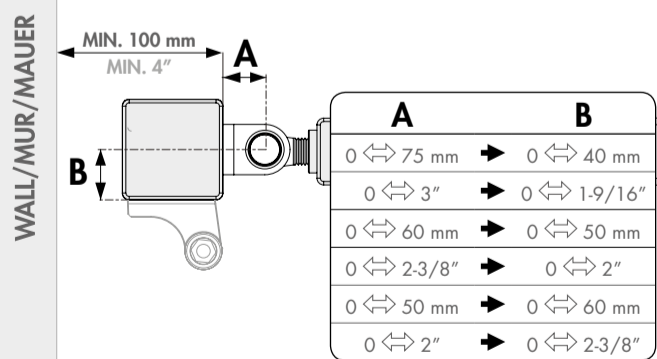
③ Accessories



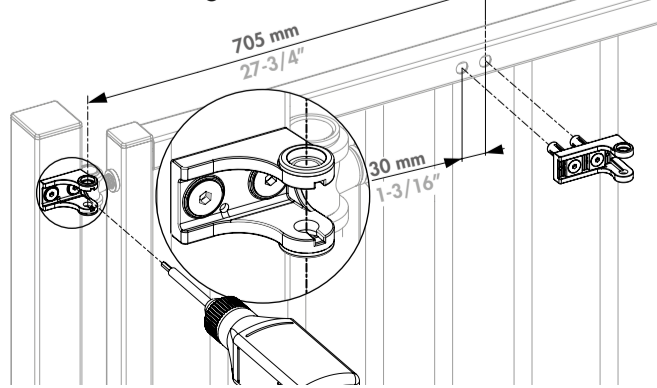
④ Profile and gate preparation



⚠ Min. distance to respect from post to wall

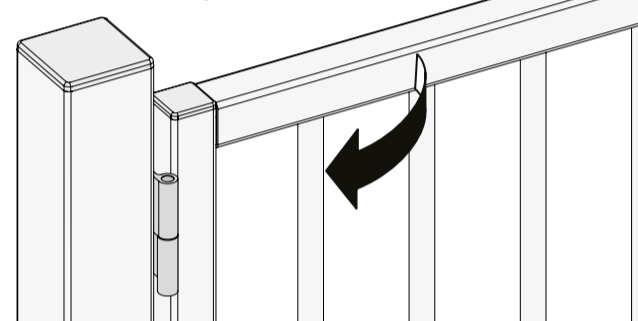


⑤ Mounting the brackets

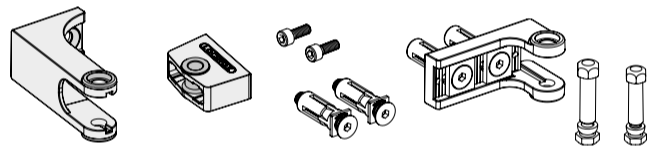


Moroccan Hinge

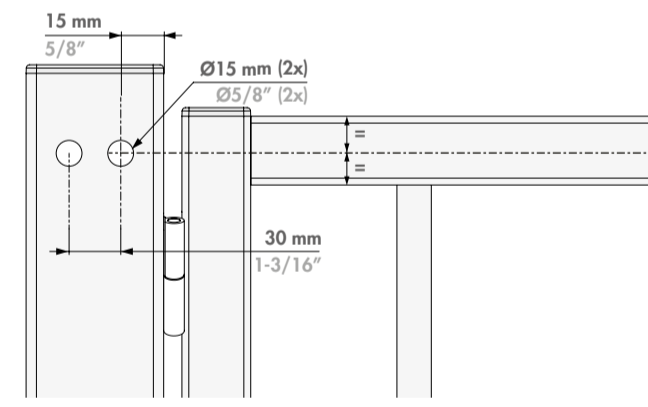
② Mounting Situation



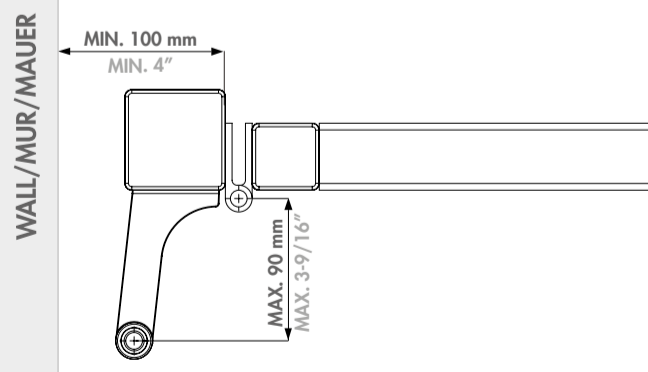
③ Accessories



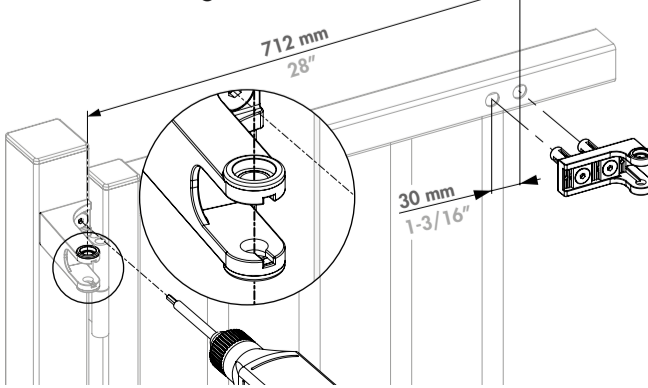
④ Profile and gate preparation



⚠ Min. distance to respect from post to wall

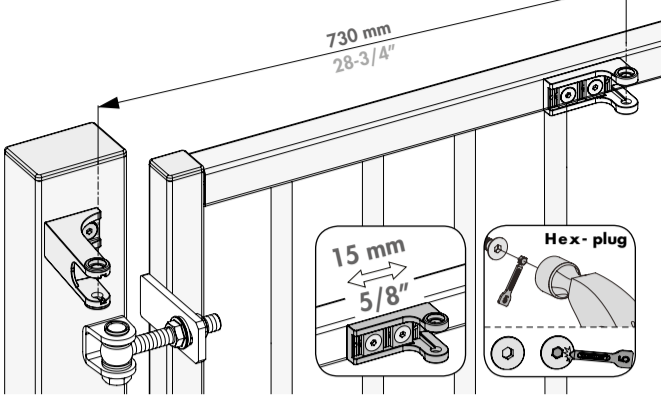


⑤ Mounting the brackets

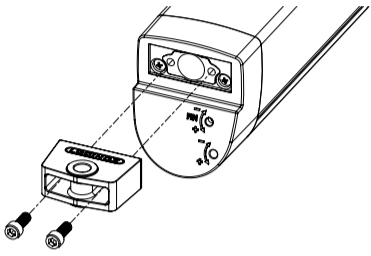


180° hinges

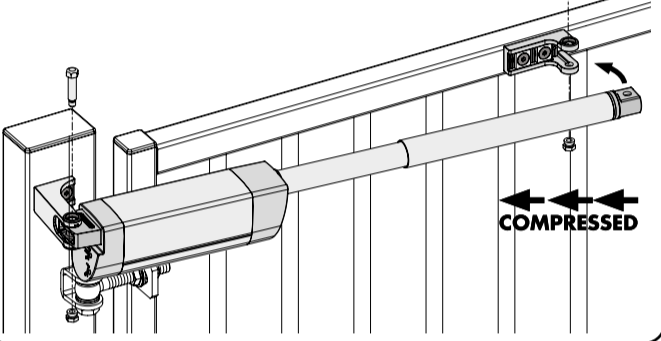
⑥ Mounting the brackets



⑦ Samson-2 tail bracket installation

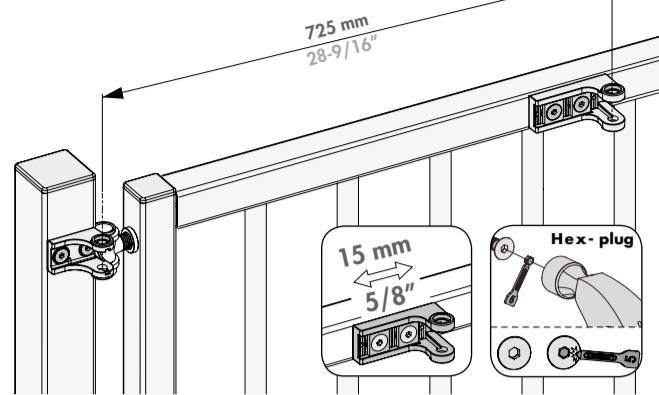


⑧ Gate closer installation

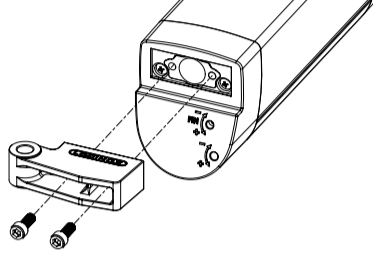


90° hinges

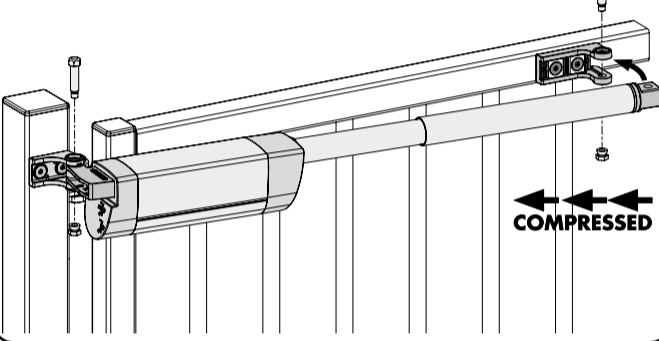
⑥ Mounting the brackets



⑦ Samson-2 tail bracket installation

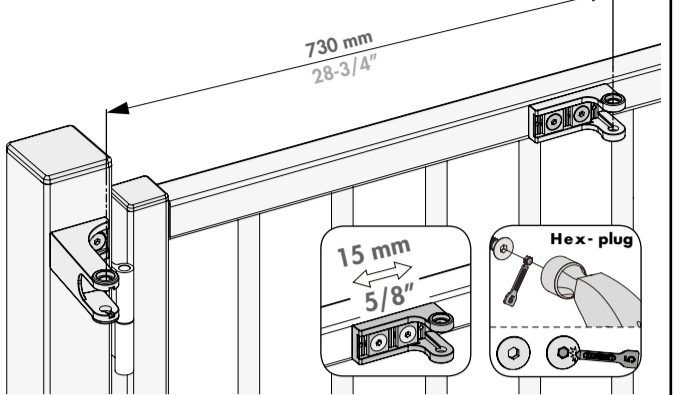


⑧ Gate closer installation

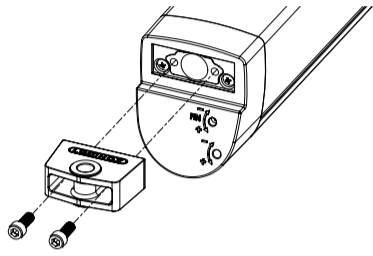


Moroccan Hinge

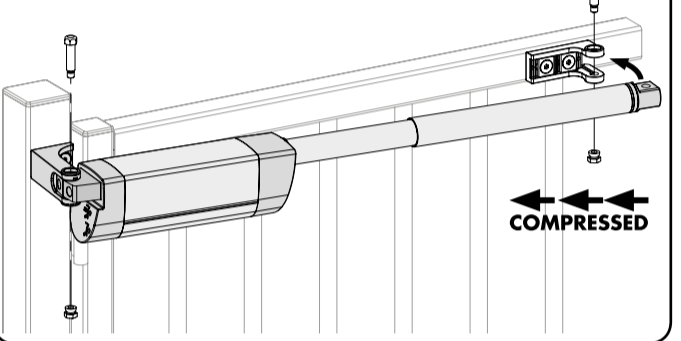
⑥ Mounting the brackets



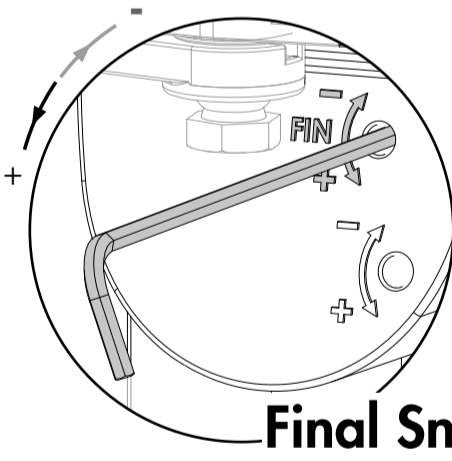
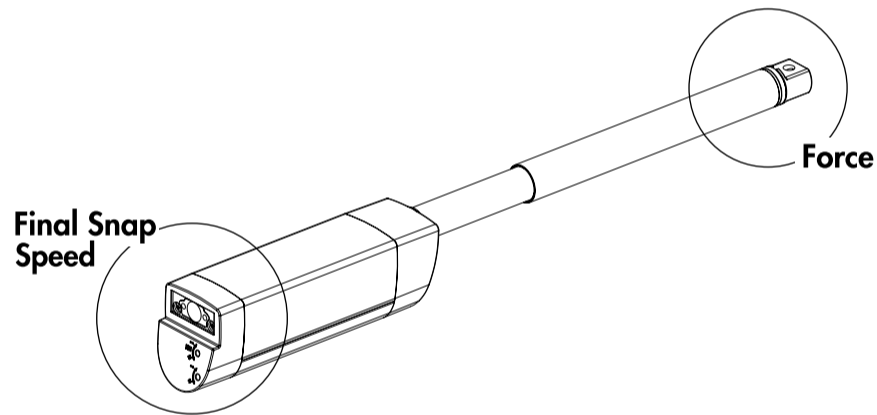
⑦ Samson-2 tail bracket installation



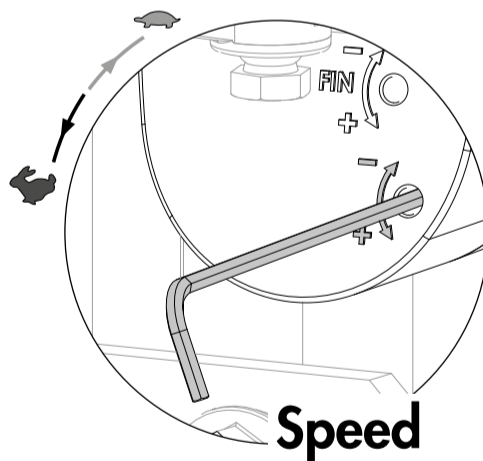
⑧ Gate closer installation



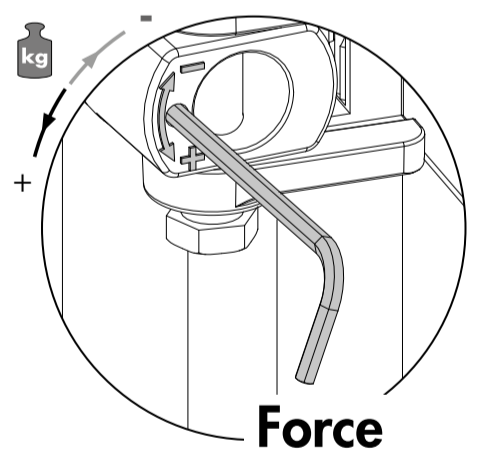
⑨ Adjusting (3 mm Allen Key)



Final Snap



Speed



Force

⑩ Anti-theft protection

