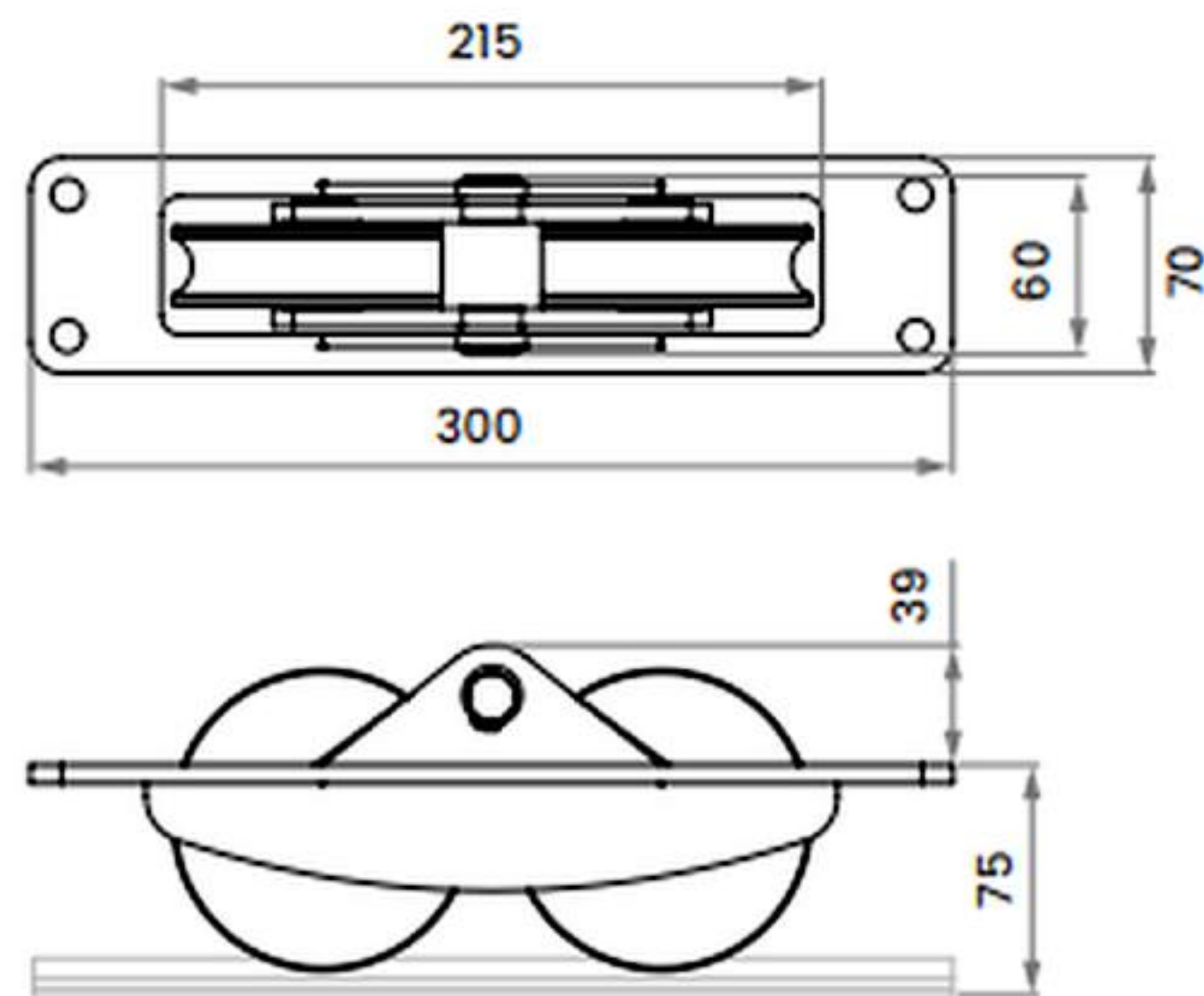


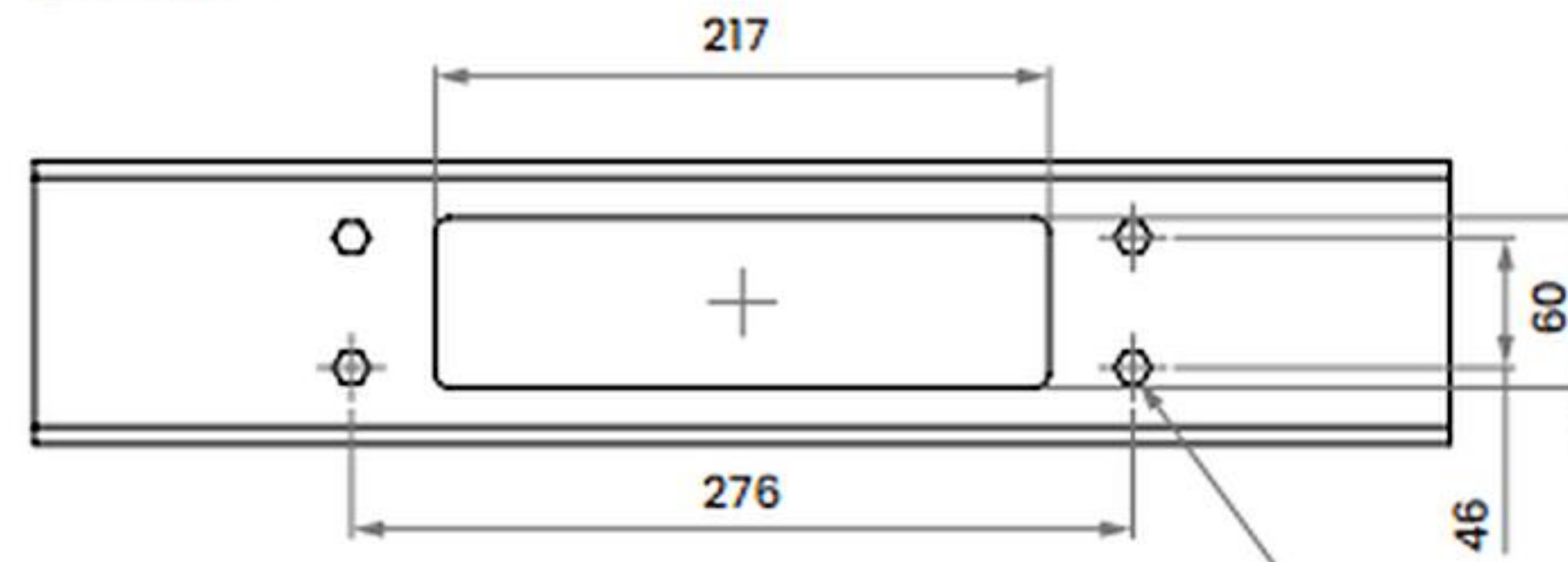
LOXO[®]



Product: Double Rebate Wheel	
Code: WRD-100-B	
Product Weight: 9kg	Gate Weight: 2000kg
Use: Wheels for Sliding Gates	
Finishing: • Electrogalvanised Steel	
• Electrogalvanised Steel + Ecoat Black	
Maintenance Schedule: Yearly Check	
✓ Check fixings are tight.	
✓ Check wheels run smoothly.	
✓ Check wheel carriage rocks freely.	

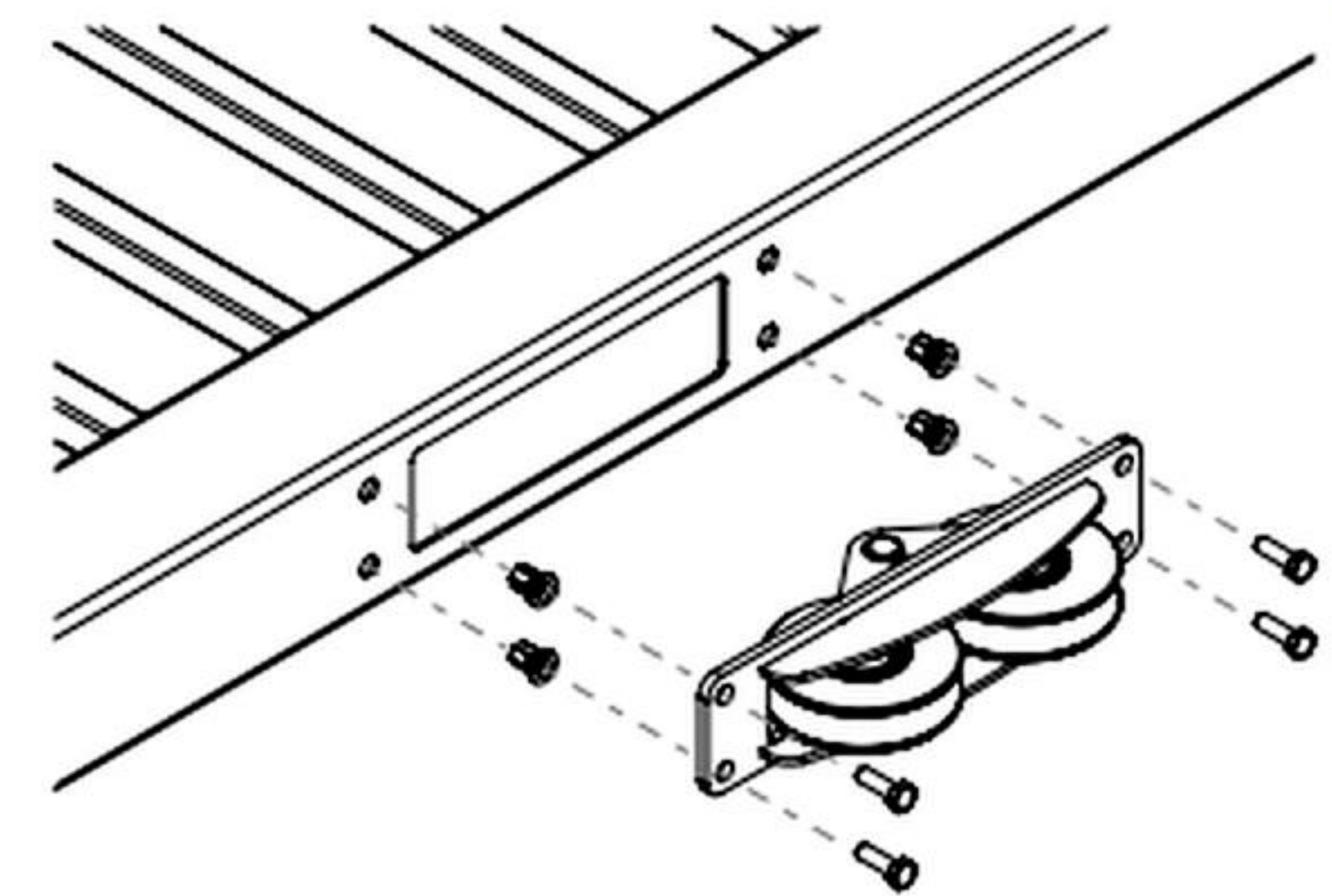


1 Cutout



Recommended: M8 Rivnut

2 Fixings



Wall thickness:

⚠ Tapped Hole - > 5mm

Rivnut - < 5mm

3 Setup

