

SCAN FOR
MORE INFO

LOCINOX

Sixtylock-S

Insert lock with 40 mm backset for sliding gates and insert keep

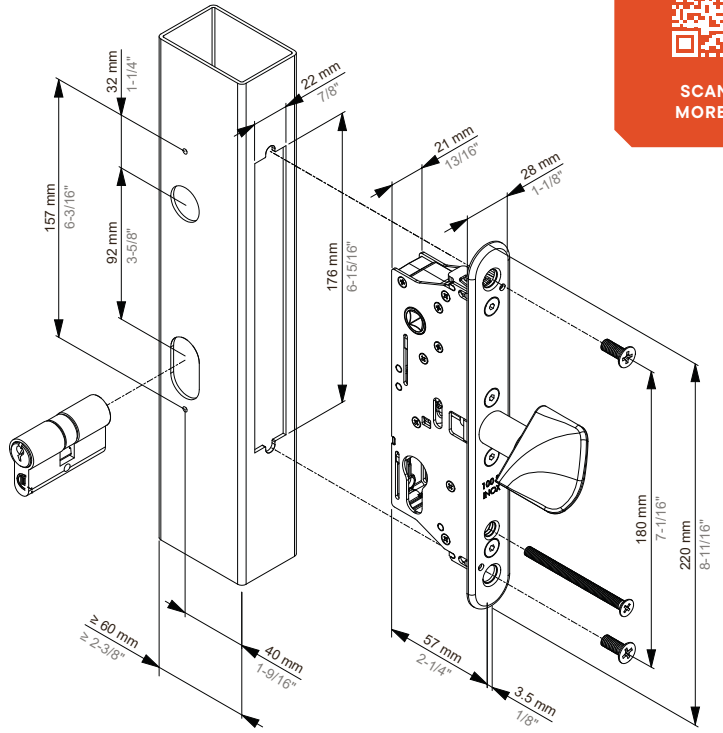
Insert lock with stainless steel mechanism and 40 mm backset, designed for sliding gates with profiles of at least 60 mm depth. The 33 mm high Twistfinger ensures optimal locking with the SFKS insert keep. Thanks to the patented Click-It system, installation of the SIXTYLOCK-S and SFKS in a Uniwing cut-out is fast, strong and efficient. Suitable for steel, aluminium and PVC gates

- Compatible with all Europrofile cylinders
- With the unique and patented Twistfinger. Twistfinger size: S – 33mm



Features

Profile preparation	Quickly and securely mounted in a UNIWING cut-out
Fixation	Patented CLICK-IT system
Compatible with insert keep	SFKS
Centre distance between cylinder and handle	92 mm
Spindle	8 mm
For profiles	≥ 60 mm
Backset	40 mm



SCAN FOR
MORE INFO

LOCINOX

Sixtylock-LS

Insert lock with 40 mm backset for sliding gates and surface-mounted keep

Insert lock with stainless steel mechanism and 40 mm backset, designed for sliding gates with profiles of at least 60 mm depth. The 45 mm high Twistfinger ensures optimal locking with the SSKZ surface-mounted keep. Thanks to the patented Click-It system, installation of the SIXTYLOCK-LS and SFKS in a Uniwing cut-out is fast, strong and efficient. Suitable for steel, aluminium and PVC gates.

- Compatible with all Europrofile cylinders
- With the unique and patented Twistfinger. Twistfinger size: LS – 45mm



Features

Profile preparation	Quickly and securely mounted in a UNIWING cut-out
Fixation	Patented CLICK-IT system
Compatible with surface mounted keep	SSKZ
Centre distance between cylinder and handle	92 mm
Spindle	8 mm
For profiles	≥ 60 mm
Backset	40 mm